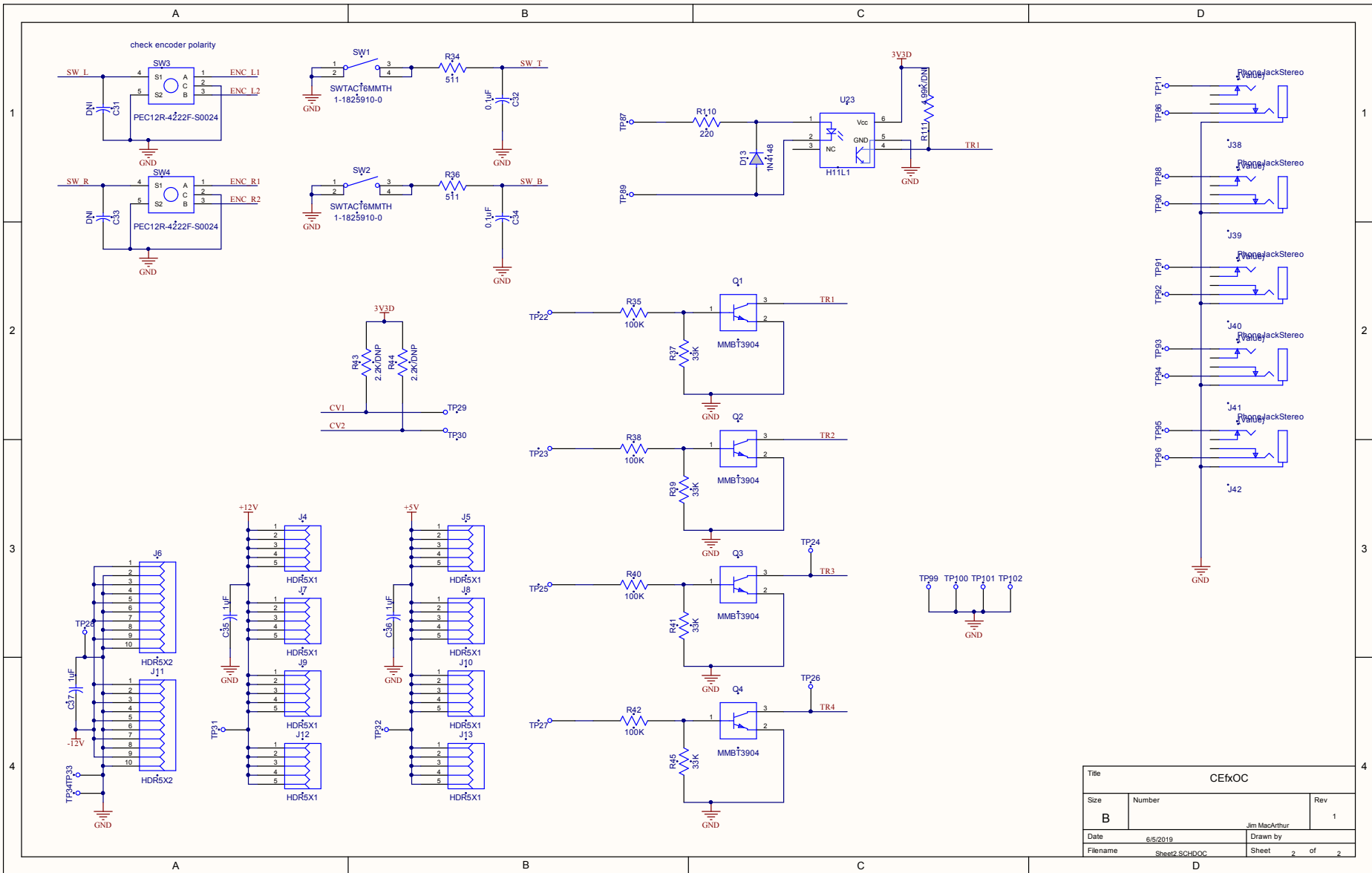


Title		CEfOC	
Size	Number	Rev	1
B		Jim MacArthur	
Date	6/5/2019	Drawn by	
Filename	Sheet1.SCHDOC	Sheet	1 of 2



Title			CEfOC		
Size	Number	Rev		1	
B		Jim MacArthur			
Date	6/5/2019	Drawn by			
Filename	Shear2 SCHDOC	Sheet		2 of 2	