



AS3394-HYB
 Synthesizer voice – DIP adapter

FEATURES

- DIP-20 300 mil footprint
- Pin-to-pin functional compatible with CEM3394

AS3394-HYB

PDIP-20 (300 mil) footprint

APPLICATIONS

for electronic music

General Description

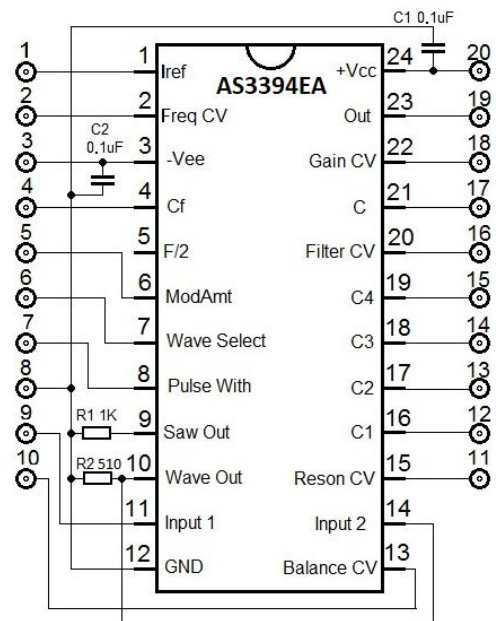
AS3394-HYB – conversion of AS3394EAD (SOIC-24) to DIP-18 (300 mil) footprint with limited functions, to make replacement of CEM3394 more easier.

All electrical parameters – according to datasheet of AS3394EA.

AS3394-HYB Pin Information

Pin No	Pin Name	Description
1	Iref	Reference current
2	VCO_CF	VCO input CF
3	Vee	Negative supply
4	Ct	Timing capacitor
5	Mod_Amt	Filter VCA3 modulation control
6	Wave_Sel	Wave select CV input
7	PWM_CV	PWM CV
8	Gnd	Ground
9	VCA1	VCA Input 1
10	Mix_Balance	Mixer Balance
11	Filt_Res	Filter resonance CV
12	C1	Filter capacitor 1
13	C2	Filter capacitor 2
14	C3	Filter capacitor 3
15	C4	Filter capacitor 4
16	VCF_CV	Filter control voltage
17	Cs	Servo-capacitort
18	VCA5_CV	VCA5 gain CV
19	VCA5_Out	VCA5 output
20	Vcc	Positive supply voltage

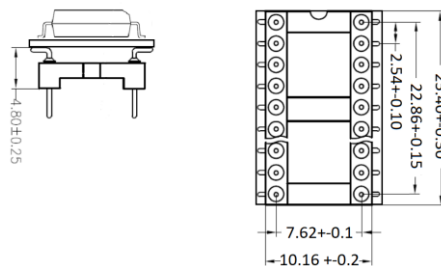
Schematic Diagram AS3394-HYB



Package Information

Device type	Package
AS3394-HYB	PDIP-20 (300 mil body)

DIMENSIONS DIP-20 (300 Mil) footprint



Revision history

Date	Revision	Changes
08-Sep-2022	1	Preliminary version 1